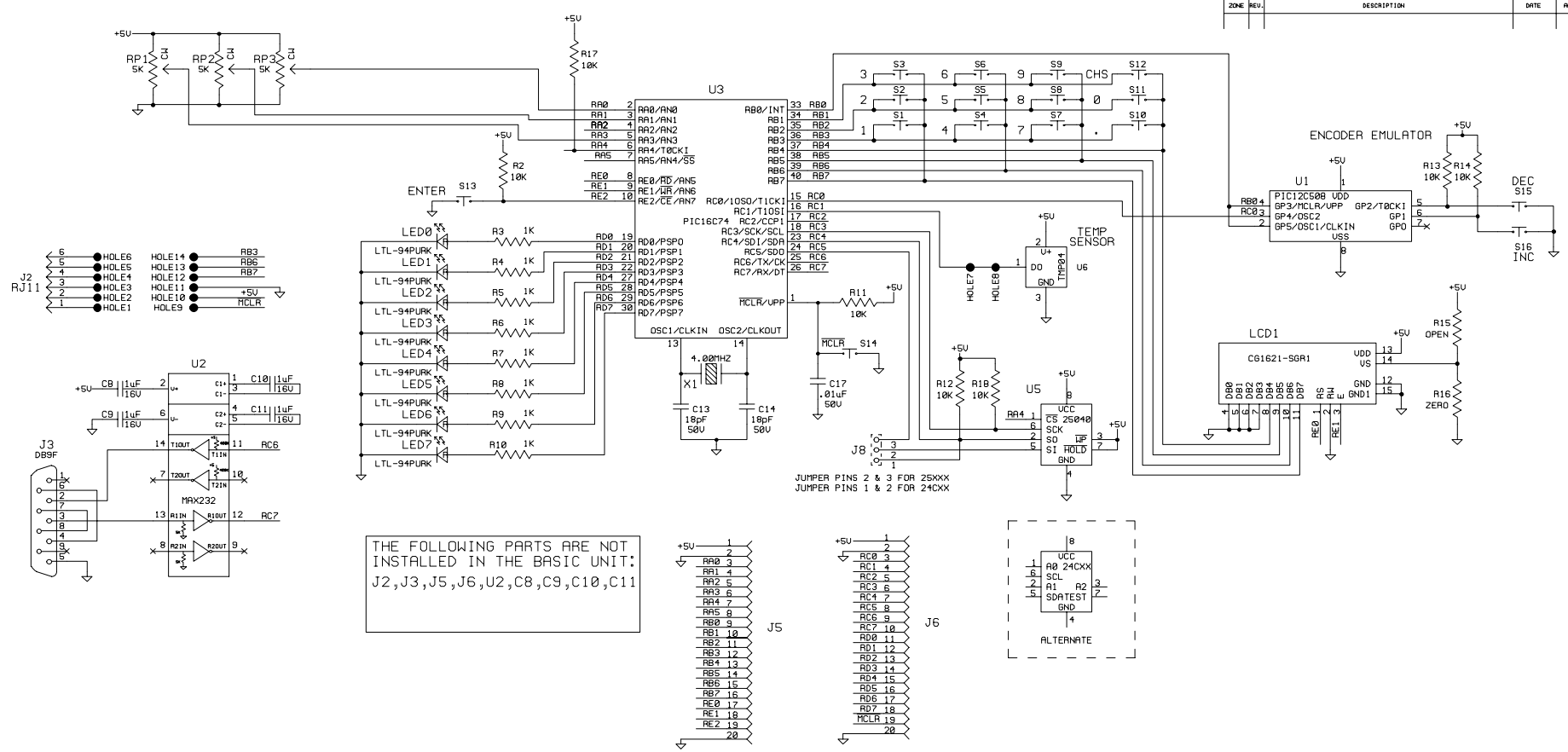
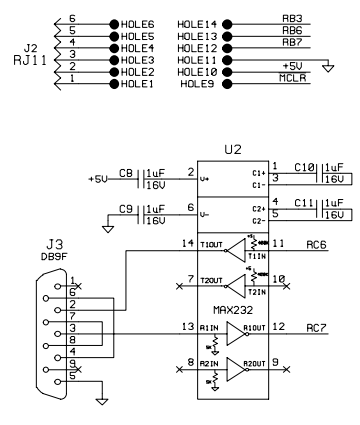
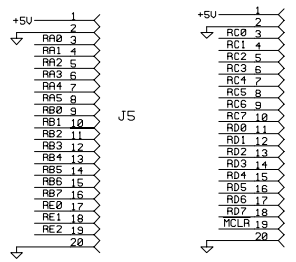


REVISIONS		
ZONE	REV.	DATE

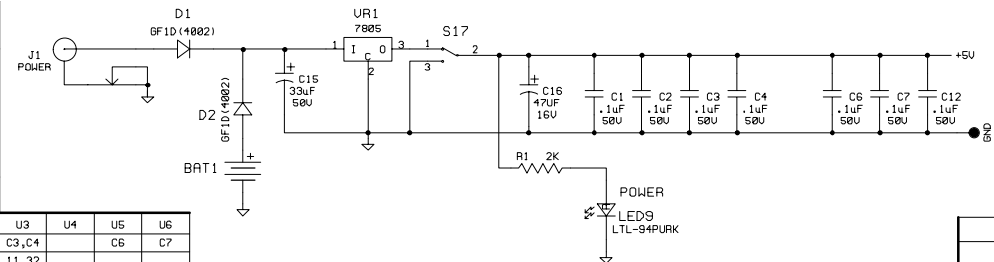


THE FOLLOWING PARTS ARE NOT
INSTALLED IN THE BASIC UNIT:
J2, J3, J5, J6, U2, C8, C9, C10, C11



REF. DESIGNATOR	ITEM	LAST USED	NOT USED
RES	R18		
CAP	C17	C5	
IC	U6	U4	
CONN	J8	J4,7	
XTAL	X1		
SWITCH	S17		
REG	UR1		
POT	RP3		
LED	LED9		
IC	U1	U2	U3
CAP	C1	C2	C3,C4
+5V		16	11,32
GND		15	12,31

NOTES:
UNLESS OTHERWISE SPECIFIED:
1. ALL RESISTANCE IS IN OHMS.
2. ALL CAPACITANCE IS IN MICROFARADS.



QTY REQD.	FINISH NO.	PART OR IDENTIFYING NO.	NOMENCLATURE OR DESCRIPTION	MATERIAL SPECIFICATION
PARTS LIST				
UNLESS OTHERWISE SPECIFIED DIMENSIONS ARE IN INCHES TOLERANCES ARE: FRACTIONS DECIMALS ANGLES XXX		CONTRACT NO. 1382	DIVERSIFIED ENGINEERING & MANUFACTURING, INC.	
PATERIAL	APPROVALS	DATE	DE	
FINISH	DRAWN	JFB	12/2/90	EDUCATION BOARD
CHECKED	ISSUED			
NEXT ASBY	USED ON			SIZE FINCH NO. DUG. NO. 109502 REV. B
APPLICATION	DO NOT SCALE DRAWING			SCALE SHEET 1 OF 1